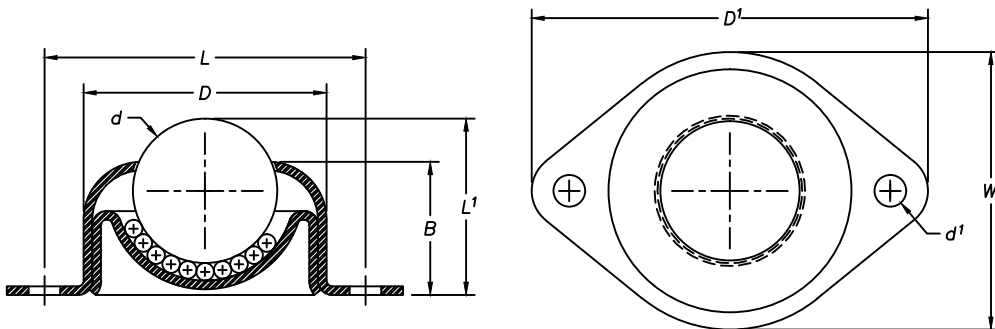
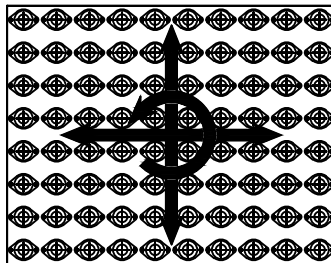




TRANSFER BALL



LOAD CAPACITY :



STATIC/DYNAMIC = 25 Kg/pc

Part No.	D	D ¹	d	d ¹	B	L	L ¹	W
UBT-254	Ø42	68.5	Ø25.4	Ø5.5	23.5	55.5	30.5	50

NEWMECH ENGINEERING SDN. BHD.

(Co. No. 966425-D)

No. 53, Jln. Pendamar 27/90,
40000 Shah Alam, Selangor Darul Ehsan.
Tel : 03-5191 6280, 012-330 7338 ; Fax : 03-5191 4280
Email : newmech18@gmail.com, newmech9@gmail.com