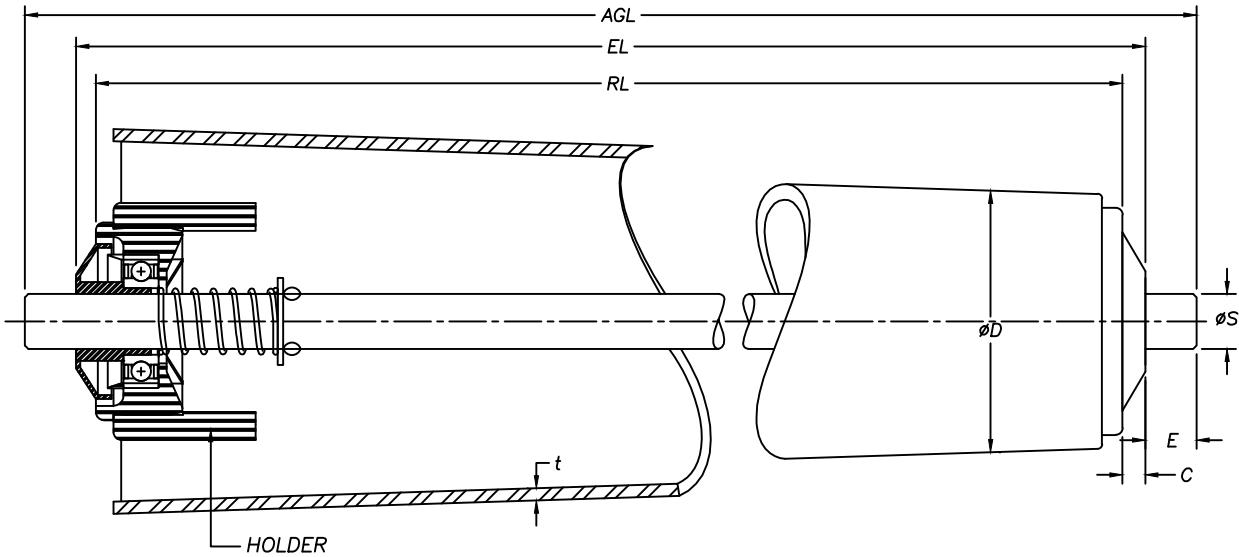




GRAVITY DRIVEN TAPPER ROLLER



M/S GALVANISING PIPE

EL = AGL

LOAD CAPACITY :

Min Diameter (øD)	Max Diameter (øD)	Roller Length (RL)	C	E	øS	t
Ø54	Ø71.2	300 mm	5	12	12/14	2.6
Ø54	Ø77.6	350 mm	5	12	12/14	2.6
Ø54	Ø77.6	400 mm	5	12	12/14	2.6
Ø54	Ø84	450 mm	5	12	12/14	2.6
Ø54	Ø84	500 mm	5	12	12/14	2.6
Ø54	Ø90.4	550 mm	5	12	12/14	2.6
Ø54	Ø90.4	600 mm	5	12	12/14	2.6
Ø54	Ø96.8	650 mm	5	12	12/14	2.6
Ø54	Ø96.8	700 mm	5	12	12/14	2.6
Ø54	Ø103.2	750 mm	5	12	12/14	2.6
Ø54	Ø103.2	800 mm	5	12	12/14	2.6
Ø54	Ø109.6	850 mm	5	12	12/14	2.6
Ø54	Ø109.6	900 mm	5	12	12/14	2.6
Ø54	Ø116	950 mm	5	12	12/14	2.6
Ø54	Ø116	1000 mm	5	12	12/14	2.6
Ø54	Ø122.4	1050 mm	5	12	12/14	2.6
Ø54	Ø122.4	1100 mm	5	12	12/14	2.6
Ø54	Ø128.8	1150 mm	5	12	12/14	2.6
Ø54	Ø128.8	1200 mm	5	12	12/14	2.6

NEWMECH ENGINEERING SDN. BHD.

(Co. No. 966425-D)

No. 53, Jln. Pendamar 27/90,
40000 Shah Alam, Selangor Darul Ehsan.
Tel : 03-5191 6280, 012-330 7338 ; Fax : 03-5191 4280
Email : newmech18@gmail.com, newmech9@gmail.com