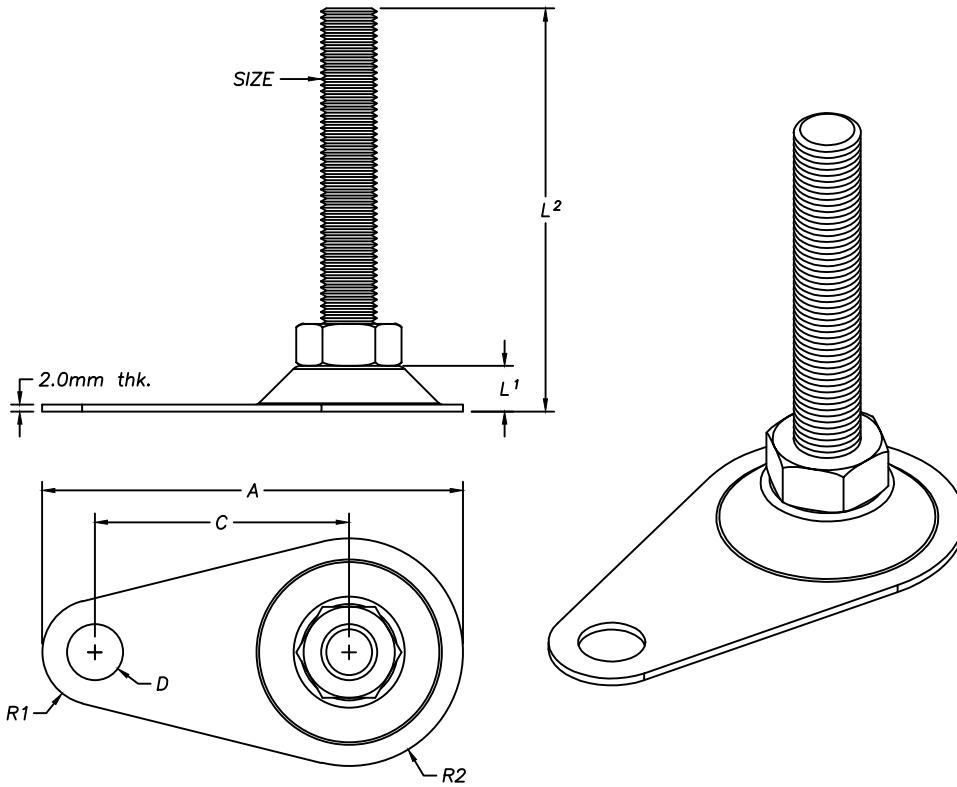




**FLOOR MOUNTING
FOOT CAP**



LOAD CAPACITY :

Part No.	SIZE		A	B	C	D	R1	R2	L¹	L²
	mm	inch								
UCFM1	M12	1/2"	120	65	73	Ø16	15	32.5	13	115
UCFM2	M16	5/8"	120	65	73	Ø16	15	32.5	13	115

NEWMECH ENGINEERING SDN. BHD.

(Co. No. 966425-D)

No. 53, Jln. Pendamar 27/90,

40000 Shah Alam, Selangor Darul Ehsan.

Tel : 03-5191 6280, 012-330 7338 ; Fax : 03-5191 4280

Email : newmech18@gmail.com, newmech9@gmail.com