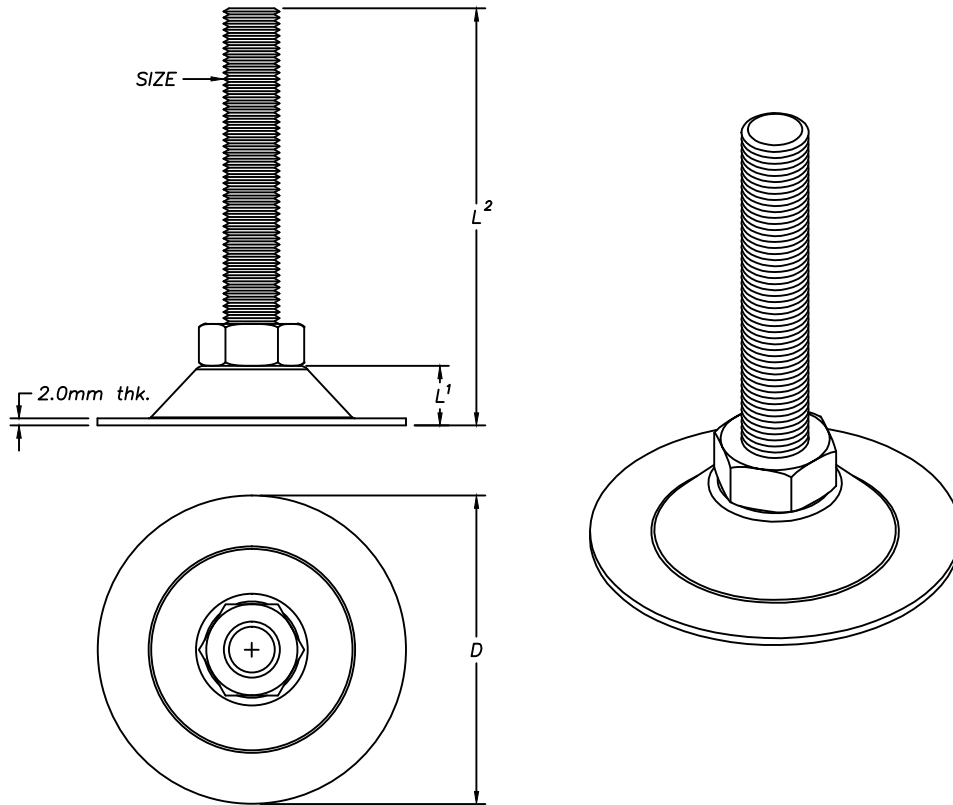




FOOT CAP



LOAD CAPACITY :

Part No.	SIZE		D	L1	L2
	mm	inch			
UCF1	M12	1/2"	Ø90	20	170
UCF2	M16	5/8"	Ø90	20	170

NEWMECH ENGINEERING SDN. BHD.

(Co. No. 966425-D)

No. 53, Jln. Pendamar 27/90,

40000 Shah Alam, Selangor Darul Ehsan.

Tel : 03-5191 6280, 012-330 7338 ; Fax : 03-5191 4280

Email : newmech18@gmail.com, newmech9@gmail.com