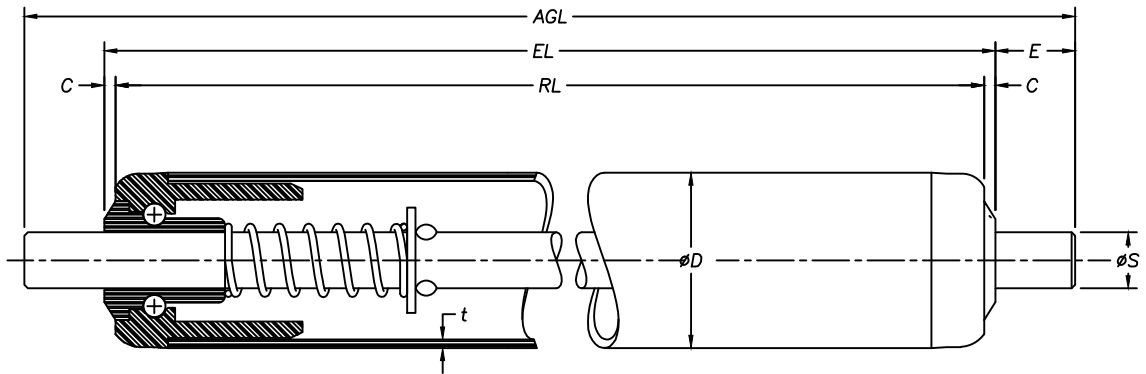




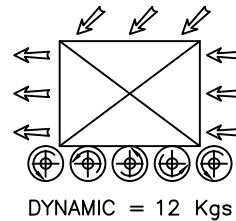
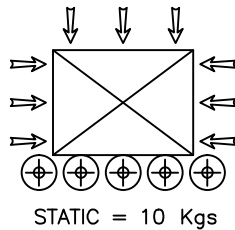
GRAVITY ROLLER PLASTIC END CAP



EL = RL+8mm
AGL = EL+24mm

*ACTUAL PIPE ϕ = 25.65mm

LOAD CAPACITY :



TUBE QUALITY	Diameter (ϕD)	Roller Length (RL)	C	E	ϕS	t
M/S ZINC PLATED	$\phi 25$	100mm - 600mm	4	12	8	1.2
STAINLESS STEEL	$\phi 25$	100mm - 600mm	4	12	8	1.2
PVC	$\phi 27$	100mm - 600mm	4	12	8	1.2

NEWMECH ENGINEERING SDN. BHD.

(Co. No. 966425-D)

No. 53, Jln. Pendamar 27/90,
40000 Shah Alam, Selangor Darul Ehsan.
Tel : 03-5191 6280, 012-330 7338 ; Fax : 03-5191 4280
Email : newmech18@gmail.com, newmech9@gmail.com