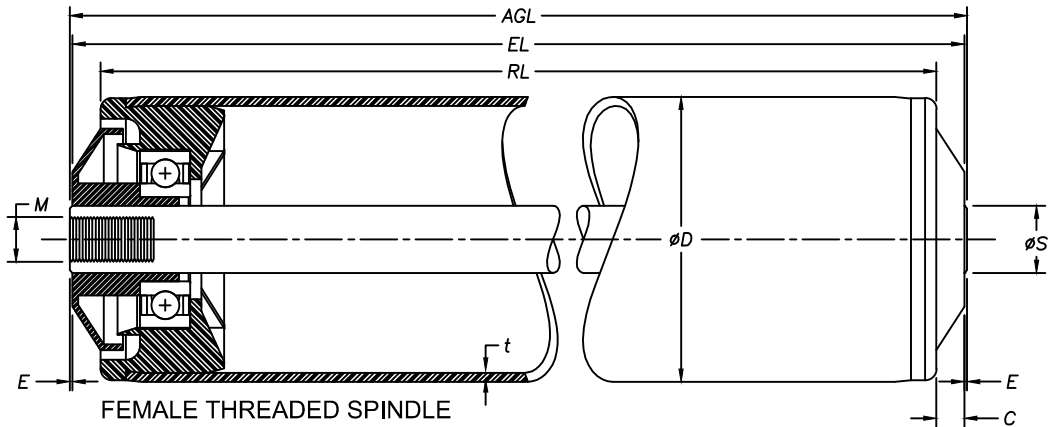




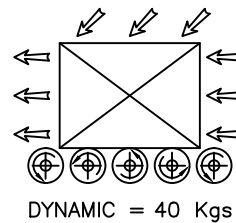
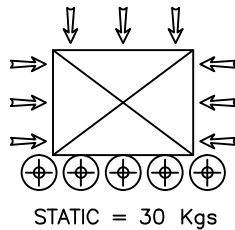
PVC ROLLER WITH PLASTIC END CAP



EL = RL+10mm
AGL = EL+1mm

*ACTUAL PIPE ø = 51.20mm

LOAD CAPACITY :



Diameter (øD)	Roller Length (RL)	C	E	øS	M	t
ø50	100mm - 1200mm	5	0.5	12	8 x 20 Deep	2.0

NEWMECH ENGINEERING SDN. BHD.

(Co. No. 966425-D)

No. 53, Jln. Pendamar 27/90,
40000 Shah Alam, Selangor Darul Ehsan.
Tel : 03-5191 6280, 012-330 7338 ; Fax : 03-5191 4280
Email : newmech18@gmail.com, newmech9@gmail.com