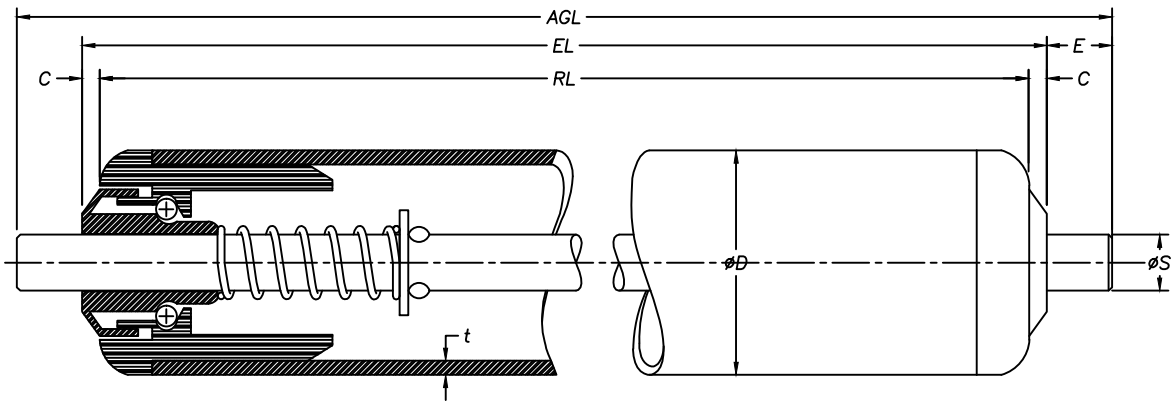




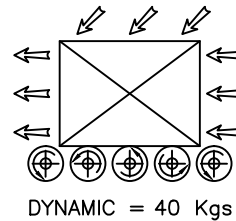
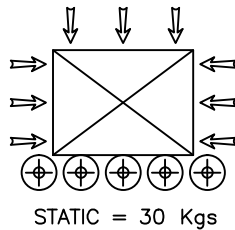
## GRAVITY ROLLER PLASTIC END CAP



EL = RL+10mm  
AGL = EL+24mm

\*ACTUAL PIPE  $\phi$  = 50.80mm

**LOAD CAPACITY :**



TUBE QUALITY	Diameter ( $\phi D$ )	Roller Length (RL)	C	E	$\phi S$	t
M/S ZINC PLATED	$\phi 32$	100mm - 1200mm	5	12	8	1.6
PVC	$\phi 33$	100mm - 1200mm	5	12	8	1.6

**NEWMECH ENGINEERING SDN. BHD.**

(Co. No. 966425-D)

No. 53, Jln. Pendamar 27/90,  
40000 Shah Alam, Selangor Darul Ehsan.  
Tel : 03-5191 6280, 012-330 7338 ; Fax : 03-5191 4280  
Email : newmech18@gmail.com, newmech9@gmail.com