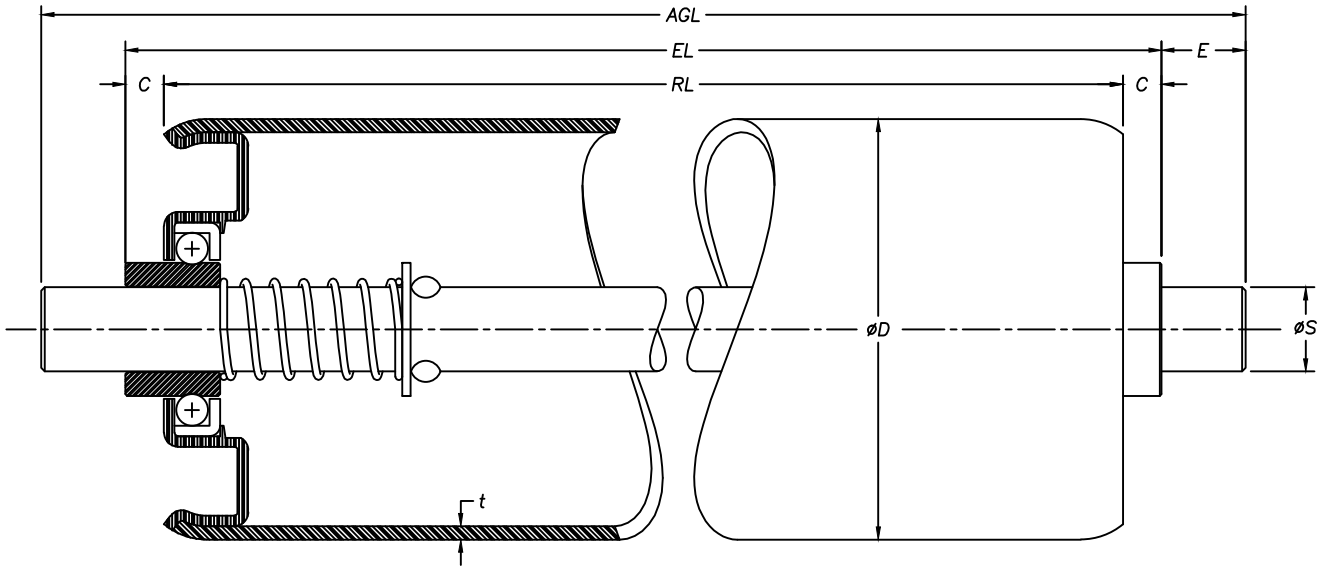




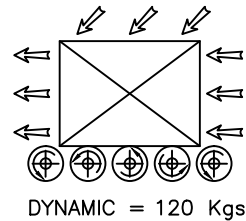
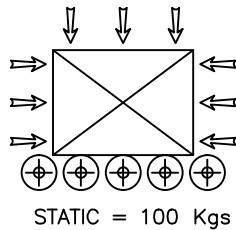
GRAVITY ROLLER



EL = RL+10mm
AGL = EL+24mm

*ACTUAL PIPE ϕ = 60.15mm

LOAD CAPACITY :



TUBE QUALITY	Diameter (ϕD)	Roller Length (RL)	C	E	BEARING QUALITY	ϕS	t
M/S ZINC PLATED	$\phi 60$	100mm - 1200mm	5	12	SEMI PRECISION STAINLESS STEEL PRECISION BEARING WITH 2RS SEALS	12	2.0
M/S ZINC PLATED	$\phi 60$	100mm - 1200mm	5	12		12	2.9
STAINLESS STEEL	$\phi 60$	100mm - 1200mm	5	12		15	2.0
STAINLESS STEEL	$\phi 60$	100mm - 1200mm	5	12		15	2.9

NEWMECH ENGINEERING SDN. BHD.

(Co. No. 966425-D)

No. 53, Jln. Pendamar 27/90,
40000 Shah Alam, Selangor Darul Ehsan.
Tel : 03-5191 6280, 012-330 7338 ; Fax : 03-5191 4280
Email : newmech18@gmail.com, newmech9@gmail.com