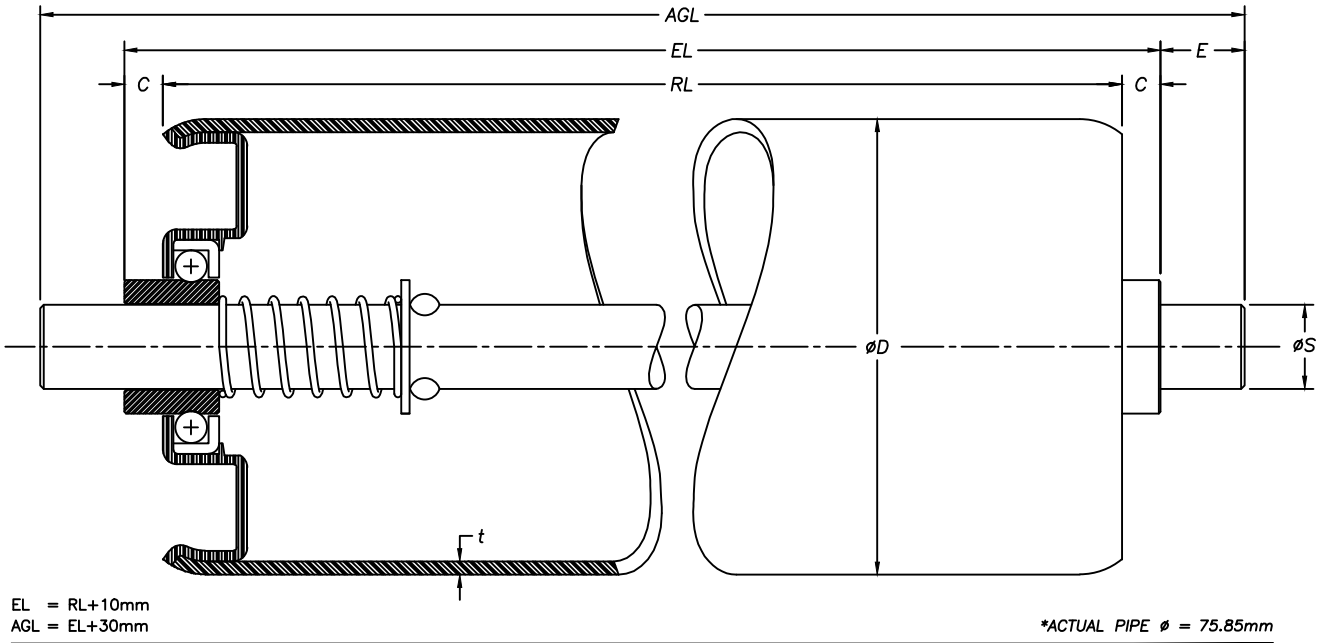
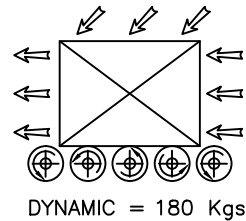
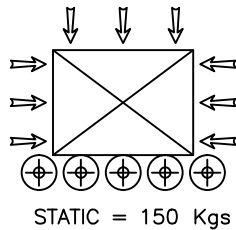




GRAVITY ROLLER



LOAD CAPACITY :



TUBE QUALITY	Diameter (ϕD)	Roller Length (RL)	C	E	BEARING QUALITY	ϕS	t
M/S ZINC PLATED	$\phi 76$	100mm - 1200mm	5	15	SEMI PRECISION STAINLESS STEEL PRECISION BEARING WITH 2RS SEALS	15	1.9
M/S ZINC PLATED	$\phi 76$	100mm - 1200mm	5	15		15	3.2