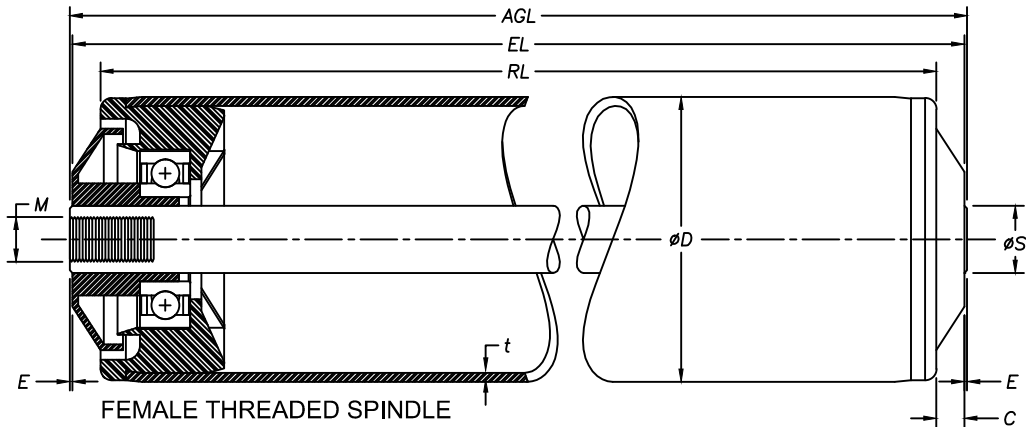




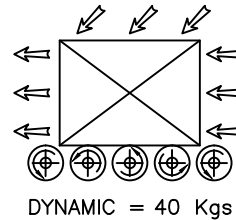
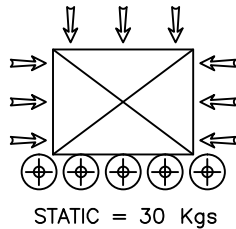
PLASTIC END CAP ROLLER



EL = RL+10mm
AGL = EL+1mm

*ACTUAL PIPE $\phi 50 = 50.80\text{mm}$
*ACTUAL PIPE $\phi 60 = 60.15\text{mm}$

LOAD CAPACITY :



TUBE QUALITY	Diameter (ϕD)	Roller Length (RL)	C	E	ϕS	M	t
M/S ZINC PLATED	$\phi 50$	100mm - 1200mm	5	0.5	12	8 x 20 Deep	1.6
STAINLESS STEEL	$\phi 50$	100mm - 1200mm	5	0.5	12	8 x 20 Deep	1.6
M/S ZINC PLATED	$\phi 60$	100mm - 1200mm	5	0.5	12	8 x 20 Deep	2.0
M/S ZINC PLATED	$\phi 60$	100mm - 1200mm	5	0.5	12	8 x 20 Deep	2.9
M/S ZINC PLATED	$\phi 50$	100mm - 1200mm	5	0.5	14	10 x 25 Deep	1.6
M/S ZINC PLATED	$\phi 60$	100mm - 1200mm	5	0.5	14	10 x 25 Deep	2.0
M/S ZINC PLATED	$\phi 60$	100mm - 1200mm	5	0.5	14	10 x 25 Deep	2.9

NEWMECH ENGINEERING SDN. BHD.

(Co. No. 966425-D)

No. 53, Jln. Pendamar 27/90,

40000 Shah Alam, Selangor Darul Ehsan.

Tel : 03-5191 6280, 012-330 7338 ; Fax : 03-5191 4280

Email : newmech18@gmail.com, newmech9@gmail.com