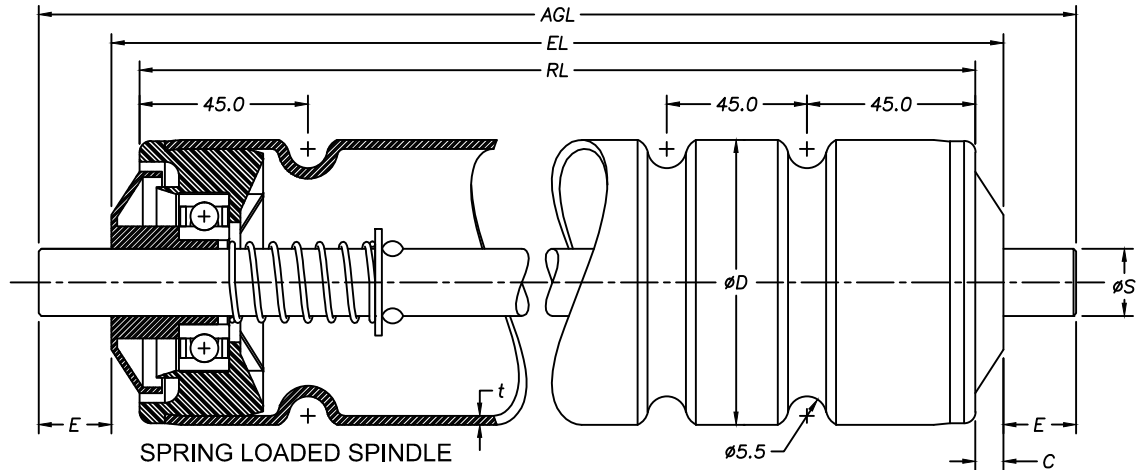




NEWMECH ENGINEERING SDN BHD
(Co. No. 966425-D)

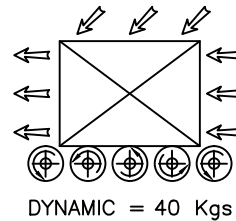
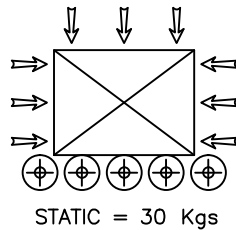
**POLYCORD ROLLER
PLASTIC END CAP**



EL = RL+10mm
AGL = EL+24mm

*ACTUAL PIPE ϕ = 50.80mm

LOAD CAPACITY :



Diameter (ϕD)	Roller Length (RL)	C	E	Spindle	ϕS	t
$\phi 50$	100mm - 1200mm	5	12	ROUND	12	1.6
$\phi 50$	100mm - 1200mm	5	12	HEXAGON	11.2	1.6

NEWMECH ENGINEERING SDN. BHD.
(Co. No. 966425-D)

No. 53, Jln. Pendamar 27/90,
40000 Shah Alam, Selangor Darul Ehsan.
Tel : 03-5191 6280, 012-330 7338 ; Fax : 03-5191 4280
Email : newmech18@gmail.com, newmech9@gmail.com