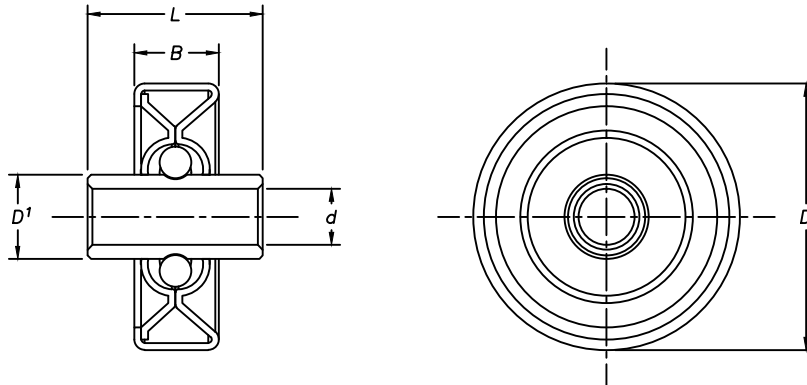




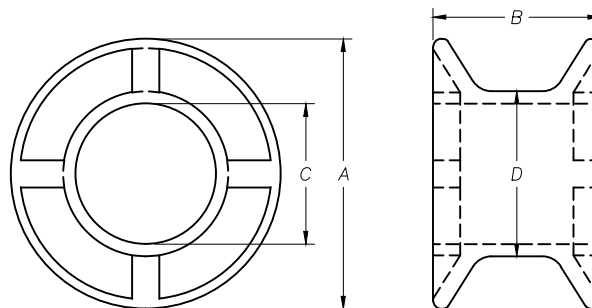
**SKATE WHEEL**



| Part No.    | D   | D'   | d   | B    | L    | BALLS |     | Load   |
|-------------|-----|------|-----|------|------|-------|-----|--------|
|             |     |      |     |      |      | SIZE  | NOS |        |
| USW638 - 12 | Ø38 | 11.0 | 6.5 | 12.0 | 25.0 | 3/16" | 9   | 40 kgs |
| USW648 - 16 | Ø48 | 12.0 | 8.2 | 16.0 | 24.0 | 3/16" | 10  | 45 kgs |

**DRIVE SPOOL**

| A   | B    | C    | D    |
|-----|------|------|------|
| Ø50 | 31.0 | 25.6 | 30.5 |



**NEWMECH ENGINEERING SDN. BHD.**

(Co. No. 966425-D)

No. 53, Jln. Pendamar 27/90,  
40000 Shah Alam, Selangor Darul Ehsan.  
Tel : 03-5191 6280, 012-330 7338 ; Fax : 03-5191 4280  
Email : newmech18@gmail.com, newmech9@gmail.com