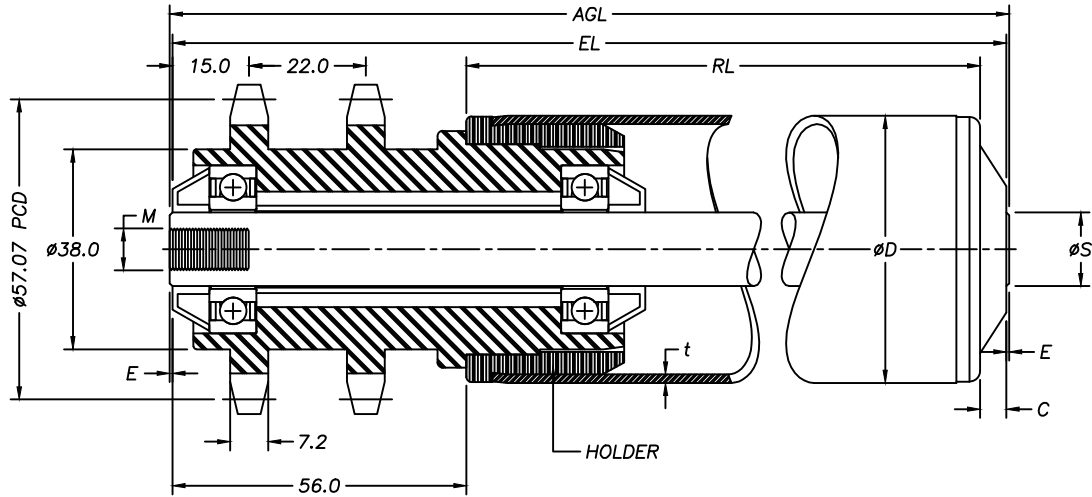




## SPROCKET ROLLER

### FIXED / ACCUMULATING TYPE

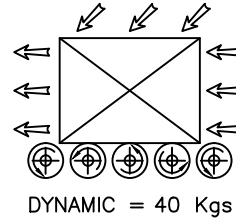
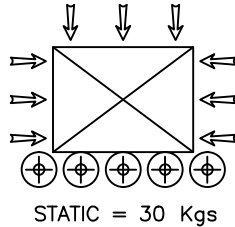
1 PLASTIC CHAIN SPROCKET FOR CHAIN 1/2"x14T  
ROLLER WITH SPLINED/FRICTION HOUSING ON ONE SIDE ONLY.



EL = RL+56mm  
AGL = EL+1mm

\*ACTUAL PIPE Ø50 = 50.80mm  
\*ACTUAL PIPE Ø60 = 60.15mm

LOAD CAPACITY :



| TUBE QUALITY    | D x T        | C | E | BEARING QUALITY  | øS (mm)        |                |
|-----------------|--------------|---|---|--|----------------|----------------|
| M/S ZINC PLATED | Ø50 x 1.5thk | 5 | 1 | SEMI PRECISION<br>STAINLESS STEEL<br>PRECISION BEARING<br>WITH 2RS SEALS | Ø12/M8 x 25 DP | Ø14/M8 x 25 DP |
| M/S ZINC PLATED | Ø60 x 2.0thk | 5 | 1 |  | Ø12/M8 x 25 DP | Ø14/M8 x 25 DP |
| M/S ZINC PLATED | Ø60 x 2.9thk | 5 | 1 |  | Ø12/M8 x 25 DP | Ø14/M8 x 25 DP |
| STAINLESS STEEL | Ø50 x 1.5thk | 5 | 1 |  | Ø12/M8 x 25 DP | Ø14/M8 x 25 DP |
| POLYURETHANE    | Ø50 x 2.0thk | 5 | 1 |  | Ø12/M8 x 25 DP | Ø14/M8 x 25 DP |

**NEWMECH ENGINEERING SDN. BHD.**  
(Co. No. 966425-D)

No. 53, Jln. Pendamar 27/90,  
40000 Shah Alam, Selangor Darul Ehsan.  
Tel : 03-5191 6280, 012-330 7338 ; Fax : 03-5191 4280  
Email : newmech18@gmail.com, newmech9@gmail.com